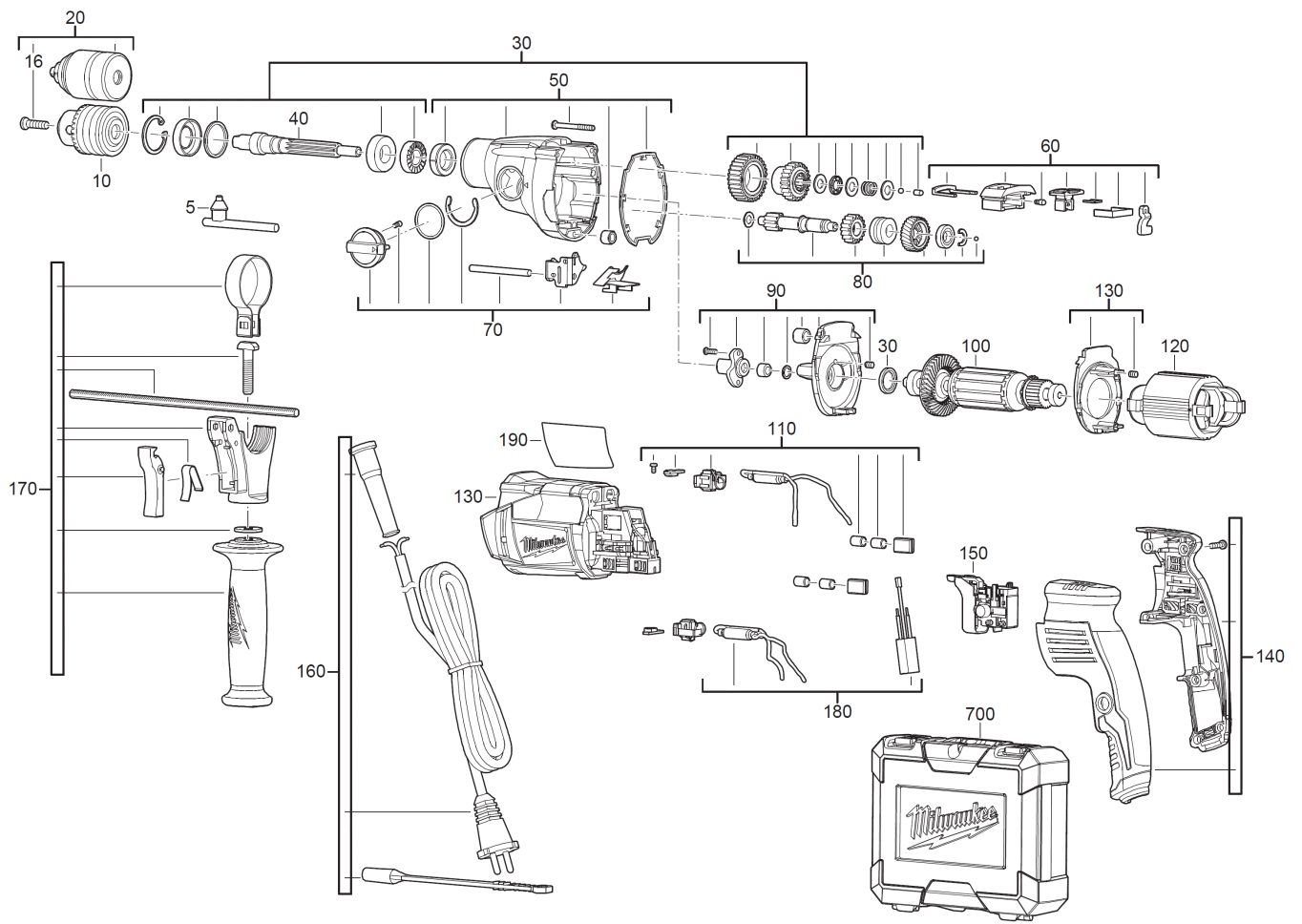


PD2E22R PERCUSSION DRILL IN2

4933419570 - PD2E22R - 4000419571





Position	Quantity	Description	Part number	EAN
0005	1	KEY	690176004	4002395841981
0010	1	THEETH CHUCK	4931473013	4058546333157
0016	1	SCREW	5131001845	4058546083502
0020	1	CHUCK	200170003	4002395799084
0030	1	GEAR KIT	4931435285	4002395899838
0040	1	SHAFT	200170026	4002395799220
0050	1	GEAR BOX	4931435286	4002395899845
0060	1	LEVER	4931435287	4002395900619
0070	1	LEVER	4931435288	4002395900626
0080	1	GEAR KIT	200170008	4002395799138
0090	1	GEAR ENDPLATE	200170009	4002395799145
0100	1	ARMATURE	4931435289	4002395899852
0110	1	CARBON BRUSH SET	4931435291	4002395899876
0120	1	ELECTRIC FIELD	4931435293	4002395899890
0130	1	MOTOR HOUSING	4931435295	4002395900510
0140	1	HANDLE SET	4931435296	4002395900527
0150	1	SWITCH	4931435297	4002395900534
0160	1	CONNECTION CABLE	5131000000	
0170	1	HANDLE SET	4931435302	4002395900589
0180	1	CAPACITOR	4931435303	4002395900596
0190	1	RATING PLATE	4931435304	4002395901203
0700	1	CARRYING CASE	5131000000	